



City of Galveston

FLEET FACILITIES STAFF REPORT

January 15, 2019

Brian Maxwell, City Manager
Honorable Mayor and City Council Members

Subject: Consider for the approval allowing the Fleet Facility to purchase the listed rolling stock (HD Hook Lift Truck) and associated equipment from Houston Freightliner through HGAC Buy for a total price of \$205,309 and authorize the City Manager to execute the contract upon final approval by the City Attorney.

I. Background

- A. Funding for new equipment has been earmarked for the listed department(s).
- B. Buy Board, HGAC Buy and TXMAS are cooperative purchasing organizations that the city is a member of that performs bidding packages for local governments. The Fleet Facility has performed competitive bidding packages on current equipment purchases to assure that these purchases are the better option a majority of the time.
- C. The requested vehicle descriptions and their assignments are listed below.
- D. The extended purchase price for this package is \$205,309.
- E. Houston Freightliner is located in Houston Texas.
- F. Delivery should be within 120 days from date of the purchase order issue. These items have to be delivered during the current fiscal year, and the dealer can support this request.
- G. Additional equipment will be added by the dealer that was specified in the specification process as requested by the department.

II. Current Situation

The City Council will have to approve allowing the Fleet Facility to purchase the listed rolling stock and associated equipment from Houston Freightliner through HGAC Buy for a total price





City of Galveston

FLEET FACILITIES STAFF REPORT

of \$205,309 and authorize the City Manager to execute the contract upon final approval by the City Attorney.

III. Alternatives in order of priority

A. City Council approves the purchase.

1. Cost - \$205,309
2. Timing - Delivery should be within 120 days.
3. Divisional Improvements - Will provide the city with needed equipment to perform duties. Newer equipment will reduce fleet operational costs and will improve operations.

B. City Council does not approve the purchase.

1. Cost - No additional cost at this time.
2. Timing - N/A
3. Divisional Improvements - City staff will not be able to function without needed equipment. Older equipment will take on a heavier load, which will increase operational costs. Operations will slow.

IV. Recommendation

Concur in Alternative A and approve allowing the Fleet Facility to purchase the listed rolling stock and associated equipment from Houston Freightliner through HGAC Buy for a total price of \$205,309 and authorize the City Manager to execute the contract upon final approval by the City Attorney.

V. Fiscal Impact Report

Requested by	David Smith Executive Director
Cost	\$205,309





City of Galveston

FLEET FACILITIES STAFF REPORT

Funding Source

Distribution and Collections
Vehicle Capital Outlay

Savings Estimation

Will help reduce unit repair costs on the older fleet vehicles and will assist with improving services.

VI. Environmental Impact

All listed vehicles are produced under current EPA standards.

Respectfully Submitted

David Smith
Executive Director





CONTRACT PRICING WORKSHEET
For MOTOR VEHICLES Only

Contract No.:

HT06-18

Date Prepared:

12/4/2018

This Worksheet is prepared by Contractor and given to End User. If a PO is issued, both documents MUST be faxed to H-GAC @ 713-993-4548. Therefore please type or print legibly.

Buying Agency:	City of Galveston	Contractor:	Houston Freightliner
Contact Person:		Prepared By:	Adam Neuse
Phone:		Phone:	713-580-8148
Fax:		Fax:	713-676-1603
Email:		Email:	adam.neuse@strhouston.com

Product Code:	C2	Description:	2020 Freightliner 108SD TRA
---------------	----	--------------	-----------------------------

A. Product Item Base Unit Price Per Contractor's H-GAC Contract: 78960

B. Published Options - Itemize below - Attach additional sheet(s) if necessary - Include Option Code in description if applicable.
(Note: Published Options are options which were submitted and priced in Contractor's bid.)

Description	Cost	Description	Cost
L9 350 HP 1150 LB FT TQ	6184	Baic High Back Air Driver Seat	159
20000 LB Taperleaf Front Suspension	1130	AM/FM Radio w/ Bluetooth	299
RT-46-160 46000 LB Rear Axle	2903	Adjustable Steering Column	359
Haulmaxx 46000 LB Rear Suspension	3230		
255" Wheelbase	1159		
7/16x3-9/19x11-1/8" Frame 120 KSI	654		
1/4" Inner Frame Rienforcement	711		
RH Understep Aftertreatment w/ RH Vert Stack	617		
Vehicle Interface Wiring and PDM MTD BOC	544		
Driver Controlled Differential Lock (Both Axles)	1091	Special U6-DPHK-200 Hook Lift w Additional Cans	104931
315/80R22.5 20 Ply FR Tires	623	Subtotal From Additional Sheet(s):	
11R22.5 14 Ply RR Tires	255	Subtotal B:	124849

C. Unpublished Options - Itemize below / attach additional sheet(s) if necessary.
(Note: Unpublished options are items which were not submitted and priced in Contractor's bid.)

Description	Cost	Description	Cost
		Subtotal From Additional Sheet(s):	
		Subtotal C:	0

Check: Total cost of Unpublished Options (C) cannot exceed 25% of the total of the Base Unit Price plus Published Options (A+B). **For this transaction the percentage is:** 0%

D. Total Cost Before Any Applicable Trade-In / Other Allowances / Discounts (A+B+C)

Quantity Ordered:	1	X Subtotal of A + B + C:	203809	=	Subtotal D:	203809
-------------------	---	--------------------------	--------	---	-------------	--------

E. H-GAC Order Processing Charge (Amount Per Current Policy) Subtotal E: 1500

F. Trade-Ins / Special Discounts / Other Allowances / Freight / Installation / Miscellaneous Charges

Description	Cost	Description	Cost
		Subtotal F:	0

Delivery Date: **G. Total Purchase Price (D+E+F):** 205309

Prepared for:
Dan Hudson
City of Galveston
823 Rosenberg
Galveston, TX 77550
Phone: 409-539-2381



Prepared by:
Adam Neuse
Houston Freightliner
9550 North Loop East
Houston, TX 77029
Phone:

A proposal for
City of Galveston

Prepared by
Houston Freightliner
Adam Neuse

Dec 04, 2018

Freightliner 108SD



Components shown may not reflect all spec'd options and are not to scale

Prepared for:
 Dan Hudson
 City of Galveston
 823 Rosenberg
 Galveston, TX 77550
 Phone: 409-539-2381



Prepared by:
 Adam Neuse
 Houston Freightliner
 9550 North Loop East
 Houston, TX 77029
 Phone:

S P E C I F I C A T I O N P R O P O S A L

Data Code	Description	Weight Front	Weight Rear
Price Level			
PRL-18D	SD PRL-18D (EFF:04/17/18)		
Data Version			
DRL-030	SPECPRO21 DATA RELEASE VER 030		
Vehicle Configuration			
001-176	108SD CONVENTIONAL CHASSIS	6,829	3,748
004-220	2020 MODEL YEAR SPECIFIED		
002-004	SET BACK AXLE - TRUCK		
019-002	STRAIGHT TRUCK PROVISION		
003-001	LH PRIMARY STEERING LOCATION		
General Service			
AA1-002	TRUCK CONFIGURATION		
AA6-002	DOMICILED, USA (EXCLUDING CALIFORNIA AND CARB OPT-IN STATES)		
A85-001	REFUSE SERVICE		
A84-1GM	GOVERNMENT BUSINESS SEGMENT		
AA4-003	DRY BULK COMMODITY		
AA5-002	TERRAIN/DUTY: 100% (ALL) OF THE TIME, IN TRANSIT, IS SPENT ON PAVED ROADS		
AB1-008	MAXIMUM 8% EXPECTED GRADE		
AB5-001	SMOOTH CONCRETE OR ASPHALT PAVEMENT - MOST SEVERE IN-TRANSIT (BETWEEN SITES) ROAD SURFACE		
995-1A0	FREIGHTLINER SD VOCATIONAL WARRANTY		
A66-99D	EXPECTED FRONT AXLE(S) LOAD : 18000.0 lbs		
A68-99D	EXPECTED REAR DRIVE AXLE(S) LOAD : 44000.0 lbs		
A69-99D	EXPECTED TAG AXLE(S) LOAD : 0.0 lbs		
A63-99D	EXPECTED GROSS VEHICLE WEIGHT CAPACITY : 62000.0 lbs		
Truck Service			
AA3-010	ROLL OFF/ROLL ON BODY		

Prepared for:
 Dan Hudson
 City of Galveston
 823 Rosenberg
 Galveston, TX 77550
 Phone: 409-539-2381



Prepared by:
 Adam Neuse
 Houston Freightliner
 9550 North Loop East
 Houston, TX 77029
 Phone:

Data Code	Description	Weight Front	Weight Rear
A88-99D	EXPECTED TRUCK BODY LENGTH : 0.0 ft		
AF3-2AR	STELLAR INDUSTRIES		

Engine

101-22T CUM L9 350 HP @ 2000 RPM, 2200 GOV RPM,
 1150 LB/FT @ 1400 RPM

Electronic Parameters

79A-065 65 MPH ROAD SPEED LIMIT
 79B-000 CRUISE CONTROL SPEED LIMIT SAME AS ROAD
 SPEED LIMIT
 79K-007 PTO MODE ENGINE RPM LIMIT - 1100 RPM
 79M-001 PTO MODE BRAKE OVERRIDE - SERVICE
 BRAKE APPLIED
 79P-002 PTO RPM WITH CRUISE SET SWITCH - 700 RPM
 79Q-003 PTO RPM WITH CRUISE RESUME SWITCH - 800
 RPM
 79S-001 PTO MODE CANCEL VEHICLE SPEED - 5 MPH
 79U-007 PTO GOVERNOR RAMP RATE - 250 RPM PER
 SECOND
 80G-002 PTO MINIMUM RPM - 700
 80J-002 REGEN INHIBIT SPEED THRESHOLD - 5 MPH

Engine Equipment

99C-017 2016 ONBOARD DIAGNOSTICS/2010
 EPA/CARB/FINAL GHG17 CONFIGURATION
 99D-010 NO 2008 CARB EMISSION CERTIFICATION
 13E-001 STANDARD OIL PAN
 105-001 ENGINE MOUNTED OIL CHECK AND FILL
 014-099 SIDE OF HOOD AIR INTAKE WITH FIREWALL
 MOUNTED DONALDSON AIR CLEANER
 124-1D7 DR 12V 160 AMP 28-SI QUADRAMOUNT PAD
 ALTERNATOR WITH REMOTE BATTERY VOLT
 SENSE
 292-208 (2) DTNA GENUINE, FLOODED STARTING, MIN
 2250CCA, 390RC, THREADED STUD BATTERIES
 290-017 BATTERY BOX FRAME MOUNTED
 281-001 STANDARD BATTERY JUMPERS
 282-001 SINGLE BATTERY BOX FRAME MOUNTED LH
 SIDE UNDER CAB
 291-017 WIRE GROUND RETURN FOR BATTERY CABLES
 WITH ADDITIONAL FRAME GROUND RETURN
 289-001 NON-POLISHED BATTERY BOX COVER
 87P-001 CAB AUXILIARY POWER CABLE

5

Prepared for:
 Dan Hudson
 City of Galveston
 823 Rosenberg
 Galveston, TX 77550
 Phone: 409-539-2381



Prepared by:
 Adam Neuse
 Houston Freightliner
 9550 North Loop East
 Houston, TX 77029
 Phone:

Data Code	Description	Weight Front	Weight Rear
293-061	POSITIVE LOAD DISCONNECT WITH CONTROL SWITCH WITH LOCKING PROVISION MOUNTED OUTSIDE OF CAB	2	
107-032	CUMMINS TURBOCHARGED 18.7 CFM AIR COMPRESSOR WITH INTERNAL SAFETY VALVE		
152-041	ELECTRONIC ENGINE INTEGRAL SHUTDOWN PROTECTION SYSTEM		
128-076	CUMMINS EXHAUST BRAKE INTEGRAL WITH VARIABLE GEOMETRY TURBO WITH ON/OFF DASH SWITCH	20	
016-1C2	RH OUTBOARD UNDER STEP MOUNTED HORIZONTAL AFTERTREATMENT SYSTEM ASSEMBLY WITH RH B-PILLAR MOUNTED VERTICAL TAILPIPE	30	25
28F-002	ENGINE AFTERTREATMENT DEVICE, AUTOMATIC OVER THE ROAD REGENERATION AND DASH MOUNTED REGENERATION REQUEST SWITCH		
239-038	11 FOOT 06 INCH (138 INCH+0/-5.9 INCH) EXHAUST SYSTEM HEIGHT		
237-1CR	RH CURVED VERTICAL TAILPIPE B-PILLAR MOUNTED ROUTED FROM STEP		
23U-002	13 GALLON DIESEL EXHAUST FLUID TANK		
30N-003	100 PERCENT DIESEL EXHAUST FLUID FILL		
23Y-001	STANDARD DIESEL EXHAUST FLUID PUMP MOUNTING		
43X-002	LH MEDIUM DUTY STANDARD DIESEL EXHAUST FLUID TANK LOCATION		
43Y-001	STANDARD DIESEL EXHAUST FLUID TANK CAP		
242-011	ALUMINUM AFTERTREATMENT DEVICE/MUFFLER/TAILPIPE SHIELD(S)		
273-018	HORTON DRIVEMASTER ADVANTAGE ON/OFF FAN DRIVE		
276-001	AUTOMATIC FAN CONTROL WITHOUT DASH SWITCH, NON ENGINE MOUNTED		
110-003	CUMMINS SPIN ON FUEL FILTER		
118-008	COMBINATION FULL FLOW/BYPASS OIL FILTER		
266-104	1115 SQUARE INCH ALUMINUM RADIATOR		
103-036	ANTIFREEZE TO -34F, ETHYLENE GLYCOL PRE-CHARGED SCA HEAVY DUTY COOLANT		
171-007	GATES BLUE STRIPE COOLANT HOSES OR EQUIVALENT		
172-001	CONSTANT TENSION HOSE CLAMPS FOR COOLANT HOSES		
270-016	RADIATOR DRAIN VALVE		

Prepared for:
 Dan Hudson
 City of Galveston
 823 Rosenberg
 Galveston, TX 77550
 Phone: 409-539-2381



Prepared by:
 Adam Neuse
 Houston Freightliner
 9550 North Loop East
 Houston, TX 77029
 Phone:

Data Code	Description	Weight Front	Weight Rear
132-004	ELECTRIC GRID AIR INTAKE WARMER		
155-055	DELCO 12V 39MT HD/OCP STARTER WITH THERMAL PROTECTION AND INTEGRATED MAGNETIC SWITCH	15	

Transmission

342-582	ALLISON 3000 RDS AUTOMATIC TRANSMISSION WITH PTO PROVISION
---------	--

Transmission Equipment

343-312	ALLISON VOCATIONAL PACKAGE 142 - AVAILABLE ON 3000/4000 PRODUCT FAMILIES WITH VOCATIONAL MODEL RDS
84B-013	ALLISON VOCATIONAL RATING FOR REFUSE APPLICATIONS AVAILABLE WITH ALL PRODUCT FAMILIES
84C-023	PRIMARY MODE GEARS, LOWEST GEAR 1, START GEAR 1, HIGHEST GEAR 6, AVAILABLE FOR 3000/4000 PRODUCT FAMILIES ONLY
84D-023	SECONDARY MODE GEARS, LOWEST GEAR 1, START GEAR 1, HIGHEST GEAR 6, AVAILABLE FOR 3000/4000 PRODUCT FAMILIES ONLY
84E-000	PRIMARY SHIFT SCHEDULE RECOMMENDED BY DTNA AND ALLISON, THIS DEFINED BY ENGINE AND VOCATIONAL USAGE
84F-000	SECONDARY SHIFT SCHEDULE RECOMMENDED BY DTNA AND ALLISON, THIS DEFINED BY ENGINE AND VOCATIONAL USAGE
84G-000	PRIMARY SHIFT SPEED RECOMMENDED BY DTNA AND ALLISON, THIS DEFINED BY ENGINE AND VOCATIONAL USAGE
84H-000	SECONDARY SHIFT SPEED RECOMMENDED BY DTNA AND ALLISON, THIS DEFINED BY ENGINE AND VOCATIONAL USAGE
84L-000	LOAD BASED SHIFT SCHEDULE AND VEHICLE ACCELERATION CONTROL RECOMMENDED BY DTNA AND ALLISON, THIS DEFINED VOCATIONAL USAGE
84N-000	NEUTRAL AT STOP - DISABLED, FUELSENSE - DISABLED
84U-000	DRIVER SWITCH INPUT - DEFAULT - NO SWITCHES
353-026	VEHICLE INTERFACE WIRING CONNECTOR WITH PDM AND NO BLUNT CUTS, AT BACK OF CAB
34C-002	ELECTRONIC TRANSMISSION CUSTOMER ACCESS CONNECTOR MOUNTED BACK OF CAB

Prepared for:
 Dan Hudson
 City of Galveston
 823 Rosenberg
 Galveston, TX 77550
 Phone: 409-539-2381



Prepared by:
 Adam Neuse
 Houston Freightliner
 9550 North Loop East
 Houston, TX 77029
 Phone:

Data Code	Description	Weight Front	Weight Rear
362-035	CUSTOMER INSTALLED CHELSEA 277 SERIES PTO		
363-001	PTO MOUNTING, LH SIDE OF MAIN TRANSMISSION		
341-018	MAGNETIC PLUGS, ENGINE DRAIN, TRANSMISSION DRAIN, AXLE(S) FILL AND DRAIN		
345-003	PUSH BUTTON ELECTRONIC SHIFT CONTROL, DASH MOUNTED		
97G-004	TRANSMISSION PROGNOSTICS - ENABLED 2013		
370-015	WATER TO OIL TRANSMISSION COOLER, IN RADIATOR END TANK		
346-003	TRANSMISSION OIL CHECK AND FILL WITH ELECTRONIC OIL LEVEL CHECK		
35T-001	SYNTHETIC TRANSMISSION FLUID (TES-295 COMPLIANT)		

Front Axle and Equipment

400-1BB	DETROIT DA-F-20.0-5 20,000# FL1 71.0 KPI/3.74 DROP SINGLE FRONT AXLE	210	
402-030	MERITOR 16.5X6 Q+ CAST SPIDER CAM FRONT BRAKES, DOUBLE ANCHOR, FABRICATED SHOES	10	
403-002	NON-ASBESTOS FRONT BRAKE LINING		
419-023	CONMET CAST IRON FRONT BRAKE DRUMS		
427-001	FRONT BRAKE DUST SHIELDS	5	
409-006	FRONT OIL SEALS		
408-001	VENTED FRONT HUB CAPS WITH WINDOW, CENTER AND SIDE PLUGS - OIL		
416-022	STANDARD SPINDLE NUTS FOR ALL AXLES		
405-002	MERITOR AUTOMATIC FRONT SLACK ADJUSTERS		
406-001	STANDARD KING PIN BUSHINGS		
536-055	TRW THP-60 POWER STEERING WITH RCH45 AUXILIARY GEAR	130	
539-003	POWER STEERING PUMP		
534-003	4 QUART POWER STEERING RESERVOIR		
533-001	OIL/AIR POWER STEERING COOLER		
40T-001	ORGANIC SAE 80/90 FRONT AXLE LUBE		

Front Suspension

620-025	20,000# TAPERLEAF FRONT SUSPENSION	200	
619-005	MAINTENANCE FREE RUBBER BUSHINGS - FRONT SUSPENSION		

Prepared for:
 Dan Hudson
 City of Galveston
 823 Rosenberg
 Galveston, TX 77550
 Phone: 409-539-2381



Prepared by:
 Adam Neuse
 Houston Freightliner
 9550 North Loop East
 Houston, TX 77029
 Phone:

Data Code	Description	Weight Front	Weight Rear
410-001	FRONT SHOCK ABSORBERS		
Rear Axle and Equipment			
420-103	RT-46-160 46,000# R-SERIES TANDEM REAR AXLE		2,960
421-614	6.14 REAR AXLE RATIO		
424-001	IRON REAR AXLE CARRIER WITH STANDARD AXLE HOUSING		
386-074	MXL 176T MERITOR EXTENDED LUBE MAIN DRIVELINE WITH HALF ROUND YOKES	65	65
388-073	MXL 17T MERITOR EXTENDED LUBE INTERAXLE DRIVELINE WITH HALF ROUND YOKES		
452-006	DRIVER CONTROLLED TRACTION DIFFERENTIAL - BOTH TANDEM REAR AXLES		40
878-023	(1) INTERAXLE LOCK VALVE, (1) DRIVER CONTROLLED DIFFERENTIAL LOCK FORWARD-REAR AND REAR-REAR AXLE VALVE		
87A-001	BLINKING LAMP WITH EACH INTERAXLE LOCK SWITCH, INTERAXLE UNLOCK DEFAULT WITH IGNITION OFF		
87B-004	BLINKING LAMP WITH EACH MODE SWITCH, DIFFERENTIAL UNLOCK WITH IGNITION OFF, ACTIVE <5 MPH		
423-020	MERITOR 16.5X7 Q+ CAST SPIDER CAM REAR BRAKES, DOUBLE ANCHOR, FABRICATED SHOES		
433-002	NON-ASBESTOS REAR BRAKE LINING		
434-003	STANDARD BRAKE CHAMBER LOCATION		
451-023	CONMET CAST IRON REAR BRAKE DRUMS		
440-006	REAR OIL SEALS		
426-101	WABCO TRISTOP D LONGSTROKE 2-DRIVE AXLE SPRING PARKING CHAMBERS		20
428-003	HALDEX AUTOMATIC REAR SLACK ADJUSTERS		
41T-001	ORGANIC SAE 80/90 REAR AXLE LUBE		
42T-001	STANDARD REAR AXLE BREATHER(S)		
Rear Suspension			
622-1E7	HENDRICKSON HAULMAAX @46,000#REAR SUSPENSION		330
621-1AP	HENDRICKSON HAULMAAX/ULTIMAAX - 10.50" RIDE HEIGHT		
624-009	54 INCH AXLE SPACING		
628-010	HENDRICKSON HN, HAULMAAX AND ULTIMAAX SERIES STEEL BEAMS WITH BAR PIN		
623-006	FORE/AFT AND TRANSVERSE CONTROL RODS		

Prepared for:
 Dan Hudson
 City of Galveston
 823 Rosenberg
 Galveston, TX 77550
 Phone: 409-539-2381



Prepared by:
 Adam Neuse
 Houston Freightliner
 9550 North Loop East
 Houston, TX 77029
 Phone:

Data Code	Description	Weight Front	Weight Rear
Brake System			
490-100	WABCO 4S/4M ABS		
871-001	REINFORCED NYLON, FABRIC BRAID AND WIRE BRAID CHASSIS AIR LINES		
904-001	FIBER BRAID PARKING BRAKE HOSE		
412-001	STANDARD BRAKE SYSTEM VALVES		
46D-002	STANDARD AIR SYSTEM PRESSURE PROTECTION SYSTEM		
413-002	STD U.S. FRONT BRAKE VALVE		
432-003	RELAY VALVE WITH 5-8 PSI CRACK PRESSURE, NO REAR PROPORTIONING VALVE		
480-086	BW AD-9SI BRAKE LINE AIR DRYER WITH HEATER		
479-015	AIR DRYER FRAME MOUNTED		
460-001	STEEL AIR BRAKE RESERVOIRS		
607-001	CLEAR FRAME RAILS FROM BACK OF CAB TO FRONT REAR SUSPENSION BRACKET, BOTH RAILS OUTBOARD		
477-004	PULL CABLES ON ALL AIR RESERVOIR(S)		
Trailer Connections			
335-004	UPGRADED CHASSIS MULTIPLEXING UNIT		
Wheelbase & Frame			
545-650	6500MM (256 INCH) WHEELBASE		
546-102	7/16X3-9/16X11-1/8 INCH STEEL FRAME (11.11MMX282.6MM/0.437X11.13 INCH) 120KSI	710	160
547-001	1/4 INCH (6.35MM) C-CHANNEL INNER FRAME REINFORCEMENT	260	440
552-030	1600MM (63 INCH) REAR FRAME OVERHANG		
55W-006	FRAME OVERHANG RANGE: 61 INCH TO 70 INCH		
AC8-99D	CALC'D BACK OF CAB TO REAR SUSP C/L (CA) : 190.35 in		
AE8-99D	CALCULATED EFFECTIVE BACK OF CAB TO REAR SUSPENSION C/L (CA) : 187.35 in		
AE4-99D	CALC'D FRAME LENGTH - OVERALL : 358.26		
AM6-99D	CALC'D SPACE AVAILABLE FOR DECKPLATE : 190.45 in		
FSS-0LH	CALCULATED FRAME SPACE LH SIDE : 117.94 in		
FSS-0RH	CALCULATED FRAME SPACE RH SIDE : 238.18 in		
553-001	SQUARE END OF FRAME		

Prepared for:
 Dan Hudson
 City of Galveston
 823 Rosenberg
 Galveston, TX 77550
 Phone: 409-539-2381



Prepared by:
 Adam Neuse
 Houston Freightliner
 9550 North Loop East
 Houston, TX 77029
 Phone:

Data Code	Description	Weight Front	Weight Rear
550-001	FRONT CLOSING CROSSMEMBER		
559-003	LIGHTWEIGHT HEAVY DUTY ALUMINUM ENGINE CROSSMEMBER	-12	
562-001	STANDARD MIDSHIP #1 CROSSMEMBER(S)		
572-001	STANDARD REARMOST CROSSMEMBER		
565-001	STANDARD SUSPENSION CROSSMEMBER		
Chassis Equipment			
556-1E5	14 INCH PAINTED STEEL BUMPER		
558-001	FRONT TOW HOOKS - FRAME MOUNTED	15	
574-001	BUMPER MOUNTING FOR SINGLE LICENSE PLATE		
551-007	GRADE 8 THREADED HEX HEADED FRAME FASTENERS		
Fuel Tanks			
204-192	50 GALLON/189 LITER RECTANGULAR ALUMINUM FUEL TANK - LH	-15	10
218-005	RECTANGULAR FUEL TANK(S)		
215-005	PLAIN ALUMINUM/PAINTED STEEL FUEL/HYDRAULIC TANK(S) WITH PAINTED BANDS		
212-007	FUEL TANK(S) FORWARD		
664-001	PLAIN STEP FINISH		
205-001	FUEL TANK CAP(S)		
122-1H7	DAVCO 245 FUEL/WATER SEPARATOR WITH WATER IN FUEL SENSOR	5	
216-020	EQUIFLO INBOARD FUEL SYSTEM		
11F-998	NO NATURAL GAS VEHICLE FUEL TANK VENT LINE/STACK		
202-016	HIGH TEMPERATURE REINFORCED NYLON FUEL LINE		
221-001	FUEL COOLER	10	
Tires			
093-2CC	MICHELIN XZU-S2 315/80R22.5 20 PLY RADIAL FRONT TIRES	100	
094-1UX	MICHELIN X MULTI D 11R22.5 14 PLY RADIAL REAR TIRES		192
Hubs			
418-060	CONMET PRESET PLUS PREMIUM IRON FRONT HUBS		
450-060	CONMET PRESET PLUS PREMIUM IRON REAR HUBS		

Prepared for:
 Dan Hudson
 City of Galveston
 823 Rosenberg
 Galveston, TX 77550
 Phone: 409-539-2381



Prepared by:
 Adam Neuse
 Houston Freightliner
 9550 North Loop East
 Houston, TX 77029
 Phone:

Data Code	Description	Weight Front	Weight Rear
Wheels			
502-579	MAXION WHEELS 10041 22.5X9.00 10-HUB PILOT 5.25 INSET 5-HAND STEEL DISC FRONT WHEELS	66	
505-524	MAXION WHEELS 90541 22.5X8.25 10-HUB PILOT 2-HAND STEEL DISC REAR WHEELS		
Cab Exterior			
829-1A5	108 INCH BBC FLAT ROOF ALUMINUM CONVENTIONAL CAB		
650-008	AIR CAB MOUNTING		
648-002	NONREMOVABLE BUGSCREEN MOUNTED BEHIND GRILLE		
667-004	FRONT FENDERS SET-BACK AXLE		
754-017	BOLT-ON MOLDED FLEXIBLE FENDER EXTENSIONS	10	
678-001	LH AND RH GRAB HANDLES		
646-041	STATIONARY BLACK GRILLE		
65X-004	BLACK HOOD MOUNTED AIR INTAKE GRILLE		
644-004	FIBERGLASS HOOD		
727-066	DUAL 26 INCH RECTANGULAR POLISHED ALUMINUM AIR HORNS ROOF MOUNTED	4	
726-001	SINGLE ELECTRIC HORN		
728-002	DUAL HORN SHIELDS		
657-001	DOOR LOCKS AND IGNITION SWITCH KEYED THE SAME		
575-001	REAR LICENSE PLATE MOUNT END OF FRAME		
312-068	HALOGEN COMPOSITE HEADLAMPS WITH BLACK BEZELS		
302-055	SMALL AERODYNAMIC MARKER LIGHTS WITH OUTER (2) WIRED TO BATTERY DISCONNECT SWITCH		
311-012	DAYTIME RUNNING LIGHTS - LOW BEAM ONLY		
294-042	FREIGHTLINER LED FLANGE MOUNTED STOP/TAIL/TURN LIGHTS WITH SEPARATE INCANDESCENT BACKUP LIGHTS		5
300-015	STANDARD FRONT TURN SIGNAL LAMPS		
744-1BC	DUAL WEST COAST BRIGHT FINISH HEATED MIRRORS WITH LH AND RH REMOTE		
797-001	DOOR MOUNTED MIRRORS		
796-001	102 INCH EQUIPMENT WIDTH		
743-204	LH AND RH 8 INCH BRIGHT FINISH CONVEX MIRRORS MOUNTED UNDER PRIMARY MIRRORS		

Prepared for:
 Dan Hudson
 City of Galveston
 823 Rosenberg
 Galveston, TX 77550
 Phone: 409-539-2381



Prepared by:
 Adam Neuse
 Houston Freightliner
 9550 North Loop East
 Houston, TX 77029
 Phone:

Data Code	Description	Weight Front	Weight Rear
729-001	STANDARD SIDE/REAR REFLECTORS		
768-043	63X14 INCH TINTED REAR WINDOW		
661-003	TINTED DOOR GLASS LH AND RH WITH TINTED NON-OPERATING WING WINDOWS		
654-027	RH AND LH ELECTRIC POWERED WINDOWS, PASSENGER SWITCHES ON DOOR(S)	4	
663-013	TINTED WINDSHIELD		
659-007	8 LITER WINDSHIELD WASHER RESERVOIR, CAB MOUNTED, WITHOUT FLUID LEVEL INDICATOR		
Cab Interior			
707-1AK	OPAL GRAY VINYL INTERIOR		
706-026	MOLDED PLASTIC DOOR PANEL WITHOUT VINYL INSERT WITH ALUMINUM KICKPLATE LOWER DOOR		
708-026	MOLDED PLASTIC DOOR PANEL WITHOUT VINYL INSERT WITH ALUMINUM KICKPLATE LOWER DOOR		
772-006	BLACK MATS WITH SINGLE INSULATION		
785-998	NO DASH MOUNTED ASH TRAYS AND LIGHTER		
691-008	FORWARD ROOF MOUNTED CONSOLE WITH UPPER STORAGE COMPARTMENTS WITHOUT NETTING		
694-010	IN DASH STORAGE BIN		
742-007	(2) CUP HOLDERS LH AND RH DASH		
680-006	GRAY/CHARCOAL FLAT DASH		
860-004	SMART SWITCH EXPANSION MODULE		
720-003	5 LB. FIRE EXTINGUISHER	10	
700-002	HEATER, DEFROSTER AND AIR CONDITIONER		
701-001	STANDARD HVAC DUCTING		
703-005	MAIN HVAC CONTROLS WITH RECIRCULATION SWITCH		
170-015	STANDARD HEATER PLUMBING		
130-033	DENSO HEAVY DUTY AIR CONDITIONER COMPRESSOR		
702-002	BINARY CONTROL, R-134A		
739-033	STANDARD INSULATION		
285-013	SOLID-STATE CIRCUIT PROTECTION AND FUSES		
280-007	12V NEGATIVE GROUND ELECTRICAL SYSTEM		
324-014	DOMED LIGHT WITH 3-WAY SWITCH ACTIVATED BY LH AND RH DOORS		

Prepared for:
 Dan Hudson
 City of Galveston
 823 Rosenberg
 Galveston, TX 77550
 Phone: 409-539-2381



Prepared by:
 Adam Neuse
 Houston Freightliner
 9550 North Loop East
 Houston, TX 77029
 Phone:

Data Code	Description	Weight Front	Weight Rear
655-005	LH AND RH ELECTRIC DOOR LOCKS		
284-023	(1) 12 VOLT POWER SUPPLY IN DASH		
756-1J3	BASIC HIGH BACK AIR SUSPENSION DRIVER SEAT WITH MECHANICAL LUMBAR AND INTEGRATED CUSHION EXTENSION	30	
760-1DC	BASIC HIGH BACK NON SUSPENSION PASSENGER SEAT		
711-004	LH AND RH INTEGRAL DOOR PANEL ARMRESTS		
758-014	BLACK CORDURA PLUS CLOTH DRIVER SEAT COVER		
761-014	BLACK CORDURA PLUS CLOTH PASSENGER SEAT COVER		
763-101	BLACK SEAT BELTS		
532-002	ADJUSTABLE TILT AND TELESCOPING STEERING COLUMN	10	
540-015	4-SPOKE 18 INCH (450MM) STEERING WHEEL		
765-002	DRIVER AND PASSENGER INTERIOR SUN VISORS		

Instruments & Controls

732-004	GRAY DRIVER INSTRUMENT PANEL		
734-004	GRAY CENTER INSTRUMENT PANEL		
870-001	BLACK GAUGE BEZELS		
486-001	LOW AIR PRESSURE INDICATOR LIGHT AND AUDIBLE ALARM		
840-002	2 INCH PRIMARY AND SECONDARY AIR PRESSURE GAUGES		
198-025	INTAKE MOUNTED AIR RESTRICTION INDICATOR WITHOUT GRADUATIONS		
721-001	97 DB BACKUP ALARM		3
149-013	ELECTRONIC CRUISE CONTROL WITH SWITCHES IN LH SWITCH PANEL		
156-007	KEY OPERATED IGNITION SWITCH AND INTEGRAL START POSITION; 4 POSITION OFF/RUN/START/ACCESSORY		
811-042	ICU3S, 132X48 DISPLAY WITH DIAGNOSTICS, 28 LED WARNING LAMPS AND DATA LINKED		
160-038	HEAVY DUTY ONBOARD DIAGNOSTICS INTERFACE CONNECTOR LOCATED BELOW LH DASH		
844-001	2 INCH ELECTRIC FUEL GAUGE		
148-003	PROGRAMMABLE RPM CONTROL - ELECTRONIC ENGINE		
856-001	ELECTRICAL ENGINE COOLANT TEMPERATURE GAUGE		

Prepared for:
 Dan Hudson
 City of Galveston
 823 Rosenberg
 Galveston, TX 77550
 Phone: 409-539-2381



Prepared by:
 Adam Neuse
 Houston Freightliner
 9550 North Loop East
 Houston, TX 77029
 Phone:

Data Code	Description	Weight Front	Weight Rear
864-005	TRANSMISSION OIL TEMPERATURE INDICATOR LIGHT		
830-017	ENGINE AND TRIP HOUR METERS INTEGRAL WITHIN DRIVER DISPLAY		
438-001	STEMCO MECHANICAL HUBODOMETER WITH TENTHS LEFT SIDE SINGLE OR FORWARD REAR DRIVE AXLE		2
372-051	CUSTOMER FURNISHED AND INSTALLED PTO CONTROLS		
852-002	ELECTRIC ENGINE OIL PRESSURE GAUGE		
746-115	AM/FM/WB WORLD TUNER RADIO WITH BLUETOOTH AND USB AND AUXILIARY INPUTS, J1939	10	
747-001	DASH MOUNTED RADIO		
750-002	(2) RADIO SPEAKERS IN CAB		
753-001	AM/FM ANTENNA MOUNTED ON FORWARD LH ROOF		
810-027	ELECTRONIC MPH SPEEDOMETER WITH SECONDARY KPH SCALE, WITHOUT ODOMETER		
817-001	STANDARD VEHICLE SPEED SENSOR		
812-001	ELECTRONIC 3000 RPM TACHOMETER		
162-002	IGNITION SWITCH CONTROLLED ENGINE STOP		
836-015	DIGITAL VOLTAGE DISPLAY INTEGRAL WITH DRIVER DISPLAY		
660-008	SINGLE ELECTRIC WINDSHIELD WIPER MOTOR WITH DELAY		
304-001	MARKER LIGHT SWITCH INTEGRAL WITH HEADLIGHT SWITCH		
882-009	ONE VALVE PARKING BRAKE SYSTEM WITH WARNING INDICATOR		
299-013	SELF CANCELING TURN SIGNAL SWITCH WITH DIMMER, WASHER/WIPER AND HAZARD IN HANDLE		
298-039	INTEGRAL ELECTRONIC TURN SIGNAL FLASHER WITH HAZARD LAMPS OVERRIDING STOP LAMPS		

Design

065-000 PAINT: ONE SOLID COLOR

Color

980-5F6 CAB COLOR A: L0006EB WHITE ELITE BC
 986-020 BLACK, HIGH SOLIDS POLYURETHANE CHASSIS PAINT

Prepared for:
 Dan Hudson
 City of Galveston
 823 Rosenberg
 Galveston, TX 77550
 Phone: 409-539-2381



Prepared by:
 Adam Neuse
 Houston Freightliner
 9550 North Loop East
 Houston, TX 77029
 Phone:

Data Code	Description	Weight Front	Weight Rear
962-972	POWDER WHITE (N0006EA) FRONT WHEELS/RIMS (PKWHT21, TKWHT21, W, TW)		
966-972	POWDER WHITE (N0006EA) REAR WHEELS/RIMS (PKWHT21, TKWHT21, W, TW)		
964-6Z7	BUMPER PAINT: FP24812 ARGENT SILVER DUPONT FLEX		
963-003	STANDARD E COAT/UNDERCOATING		

Certification / Compliance

996-001	U.S. FMVSS CERTIFICATION, EXCEPT SALES CABS AND GLIDER KITS
---------	---

Secondary Factory Options

998-032	CORPORATE PDI CENTER OPTION INSTALLATION/MODIFICATION ONLY
999-999	SPECIAL NARRATIVE INSTRUCTIONS

T O T A L V E H I C L E S U M M A R Y

Weight Summary

	Weight Front	Weight Rear	Total Weight
Factory Weight ⁺	8738 lbs	8000 lbs	16738 lbs
Total Weight⁺	8738 lbs	8000 lbs	16738 lbs

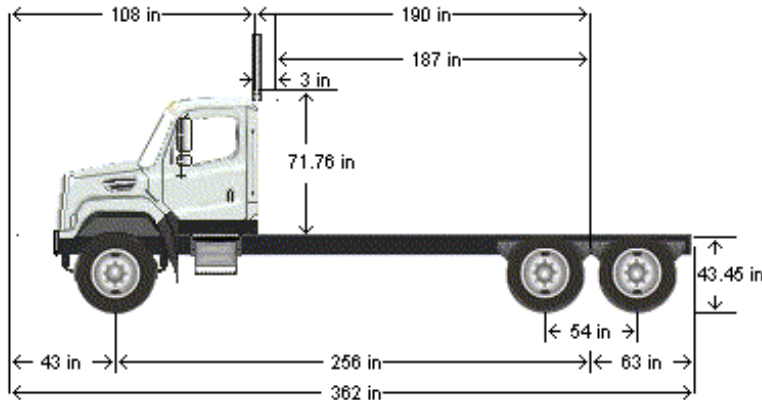
(+) Weights shown are estimates only.
 If weight is critical, contact Customer Application Engineering.

Prepared for:
 Dan Hudson
 City of Galveston
 823 Rosenberg
 Galveston, TX 77550
 Phone: 409-539-2381



Prepared by:
 Adam Neuse
 Houston Freightliner
 9550 North Loop East
 Houston, TX 77029
 Phone:

D I M E N S I O N S



VEHICLE SPECIFICATIONS SUMMARY - DIMENSIONS

Wheelbase (545).....	6500MM (256 INCH) WHEELBASE
Rear Frame Overhang (552).....	1600MM (63 INCH) REAR FRAME OVERHANG
Fifth Wheel (578)	NO FIFTH WHEEL
Mounting Location (577)	NO FIFTH WHEEL LOCATION
Maximum Forward Position (in)	0
Maximum Rearward Position (in)	0
Amount of Slide Travel (in)	0
Slide Increment (in)	0
Desired Slide Position (in).....	0.0
Cab Size (829)	108 INCH BBC FLAT ROOF ALUMINUM CONVENTIONAL CAB
Sleeper (682)	NO SLEEPER BOX/SLEEPERCAB
Exhaust System (016).....	RH OUTBOARD UNDER STEP MOUNTED HORIZONTAL AFTERTREATMENT SYSTEM ASSEMBLY WITH RH B-PILLAR MOUNTED VERTICAL TAILPIPE

TABLE SUMMARY - DIMENSIONS

Prepared for:
 Dan Hudson
 City of Galveston
 823 Rosenberg
 Galveston, TX 77550
 Phone: 409-539-2381



Prepared by:
 Adam Neuse
 Houston Freightliner
 9550 North Loop East
 Houston, TX 77029
 Phone:

Dimensions	Inches
Bumper to Back of Cab (BBC)	108.3
Bumper to Centerline of Front Axle (BA)	42.7
Min. Cab to Body Clearance (CB)	3.0
Back of Cab to Centerline of Rear Axle(s) (CA)	190.3
Effective Back of Cab to Centerline of Rear Axle(s) (Effective CA)	187.3
Back of Cab Protrusions (Exhaust/Intake) (CP)	0.0
Back of Cab Protrusions (Side Extenders/Trim Tab) (CP)	0.0
Back of Cab Protrusions (CNG Tank)	0.0
Back of Cab Clearance (CL)	3.0
Back of Cab to End of Frame	253.3
Cab Height (CH)	71.8
Wheelbase (WB)	255.9
Frame Overhang (OH)	63.0
Overall Length (OAL)	361.6
Rear Axle Spacing	54.0
Unladen Frame Height at Centerline of Rear Axle	43.5

Performance calculations are estimates only. If performance calculations are critical, please contact Customer Application Engineering.