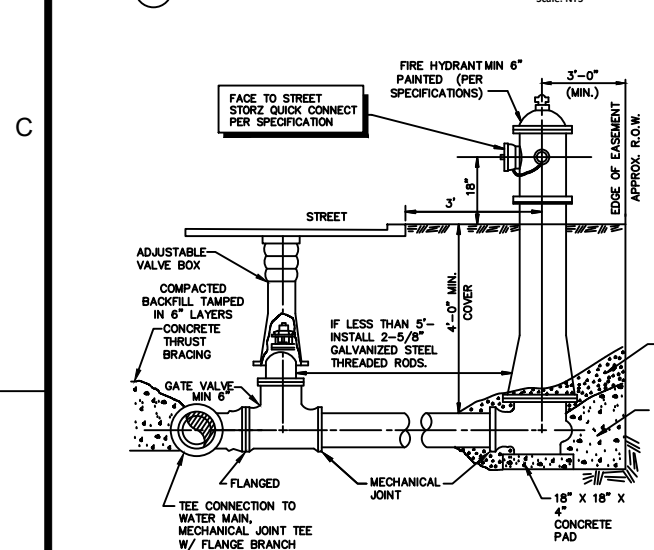
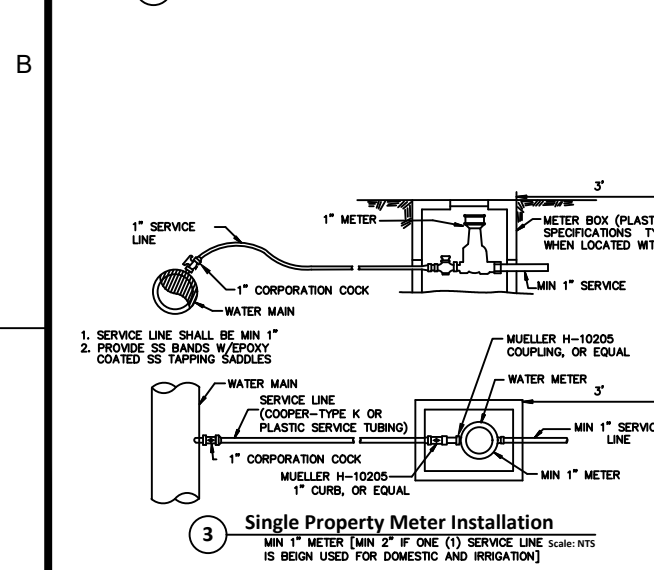


1 Typical Gate Valve and Fire Hydrant Details- Case 1
Scale: NTS

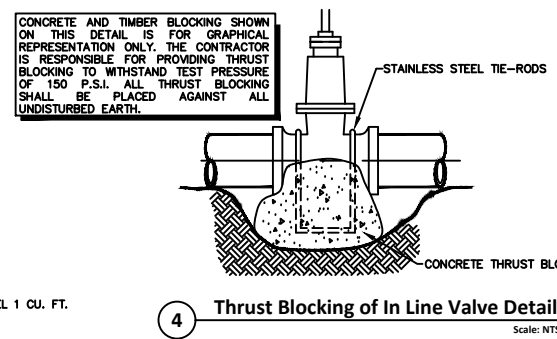


2 Typical Gate Valve and Fire Hydrant Details- Case 2
Scale: NTS

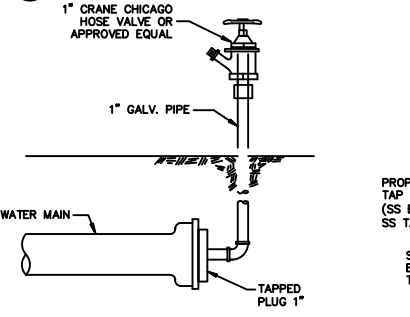


3 Single Property Meter Installation
MIN 1\"/>

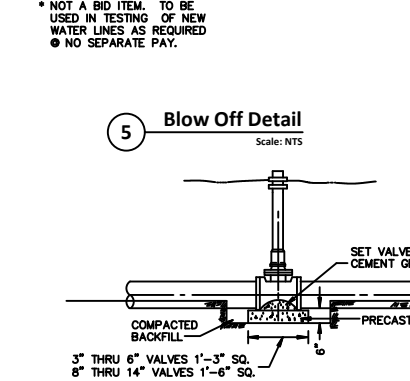
- GENERAL NOTES**
1. WATER SERVICE NEEDS TO EXTEND BEHIND THE CURB AND TERMINATE AT THE METER BOX.
 2. TAPPING SADDLES FOR WATER MAINS NEED TO BE SMITH-BLAIR STAINLESS STEEL TAPPING SLEEVE OR APPROVED EQUAL.
 3. IF WATER SERVICES ARE BEING SPLIT BETWEEN 2 RESIDENTIAL PROPERTIES, THEY SHOULD BE A MINIMUM OF 2\"/>



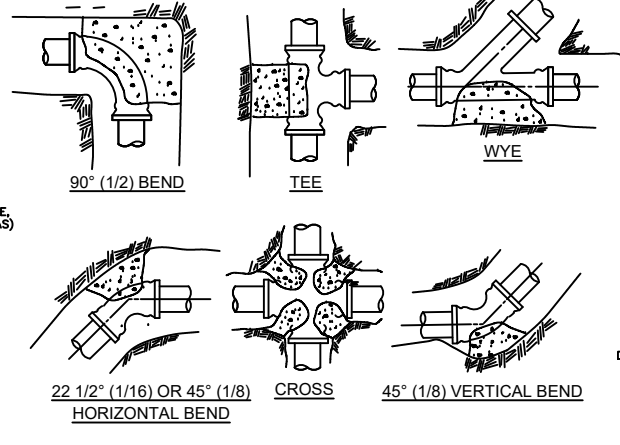
4 Thrust Blocking of In Line Valve Detail
Scale: NTS



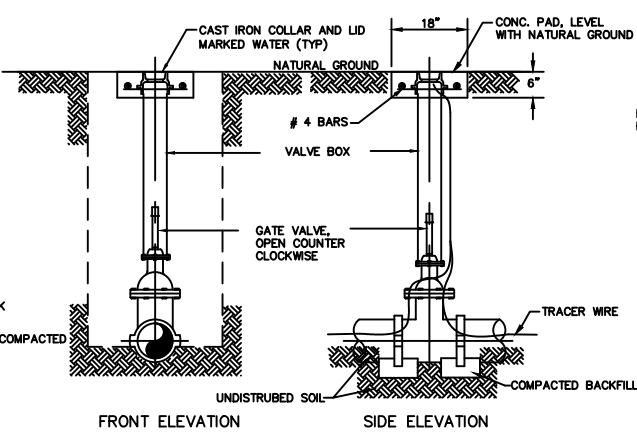
5 Blow Off Detail
Scale: NTS



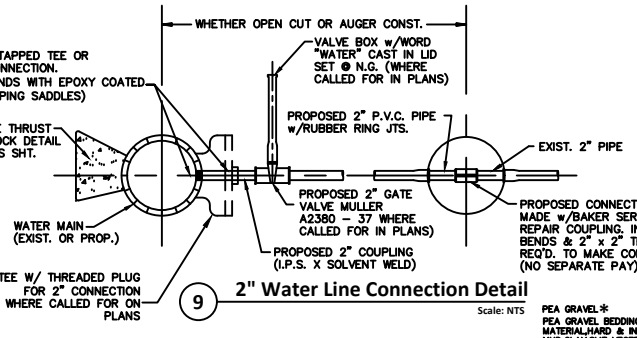
6 Blocking for Valves 14\"/>



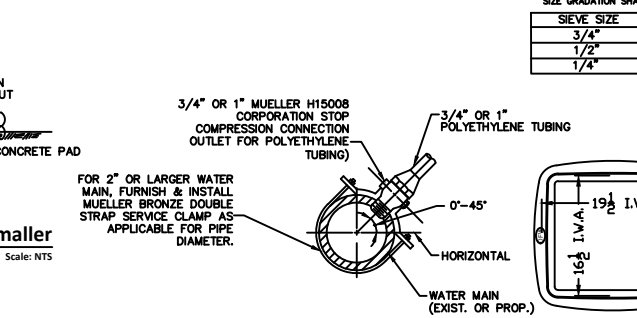
7 Typical Thrust Blocks
Scale: NTS



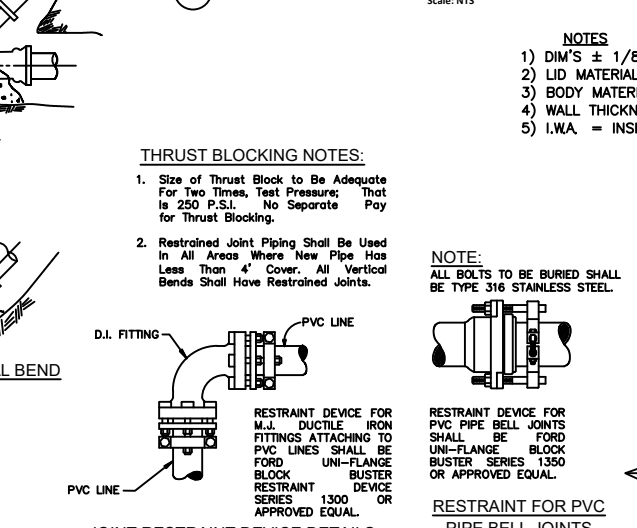
8 Gate Valve Installation Detail
Scale: 1:1



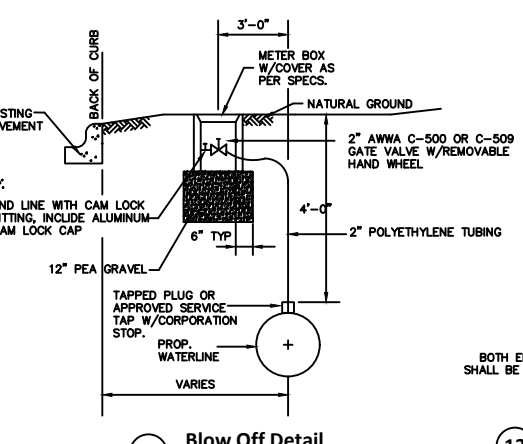
9 2\"/>



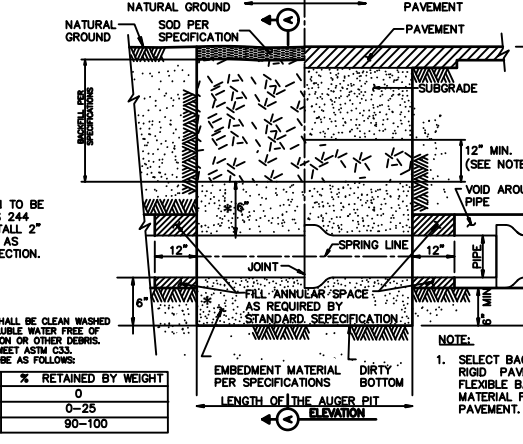
10 Service Clamp & Tap Detail
Scale: NTS



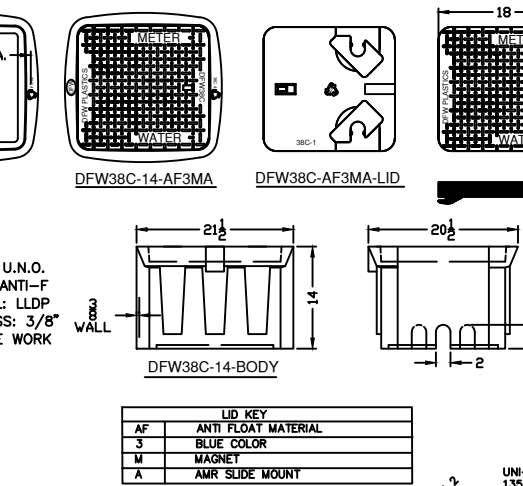
11 Mechanical Joint Fitting and PVC Pipe
Scale: NTS



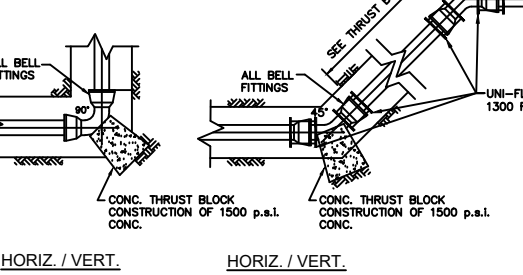
12 Blow Off Detail
Scale: NTS



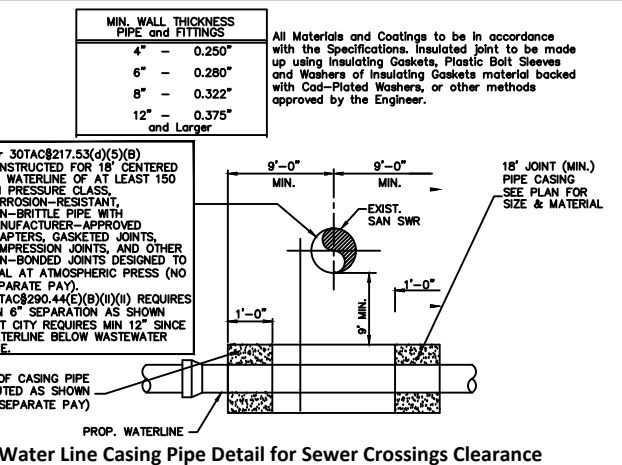
14 BEDDING AND BACKFILL AUGER PIT AND AUGER HOLE
Scale: NTS



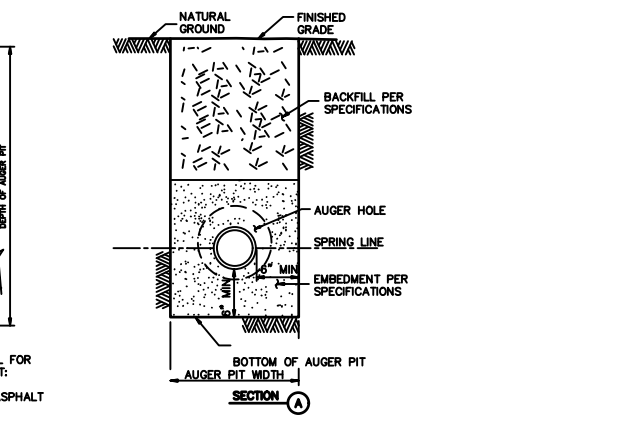
16 Meter Box or Approved Equal
Scale: NTS



15 Joint Restraint Details
Scale: NTS



13 Water Line Casing Pipe Detail for Sewer Crossings Clearance
Scale: NTS



14 BEDDING AND BACKFILL AUGER PIT AND AUGER HOLE
Scale: NTS

REV	DESCRIPTION	DATE	DWN.	CHK.
0	ISSUED FOR INFORMATION	9/2021	BF	LA/DC



**ENGINEERING DIVISION
STANDARD DETAILS**

City of Galveston, Texas

Department of Public Works

**WATER LINE
CONSTRUCTION DETAILS**

SHEET No.: I
DATE: 9/2021
DWN By: BF
CHKD By: LA

SCALE: HOR VERT
SHEET 1 OF 1

IF ABOVE MARK DOES NOT MEASURE ONE INCH, THEN THIS DWG. NOT TO SCALE