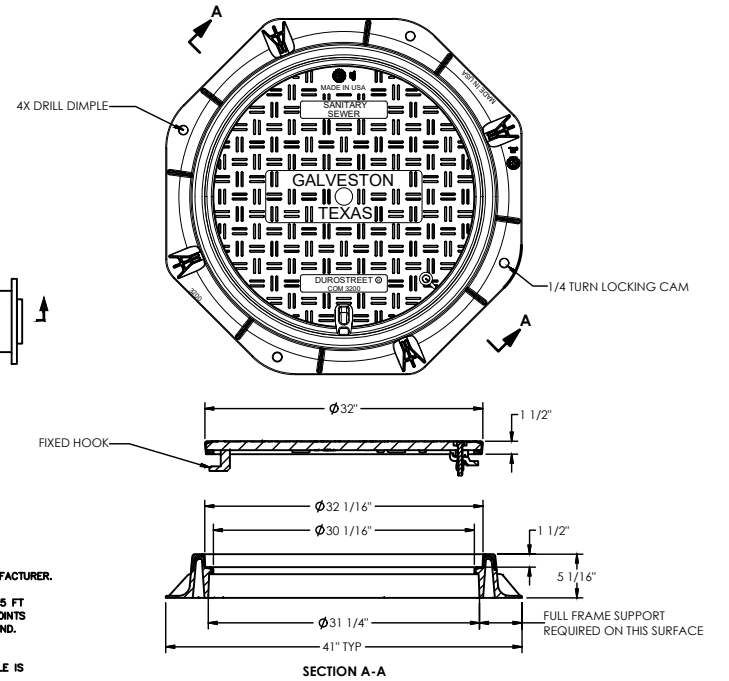
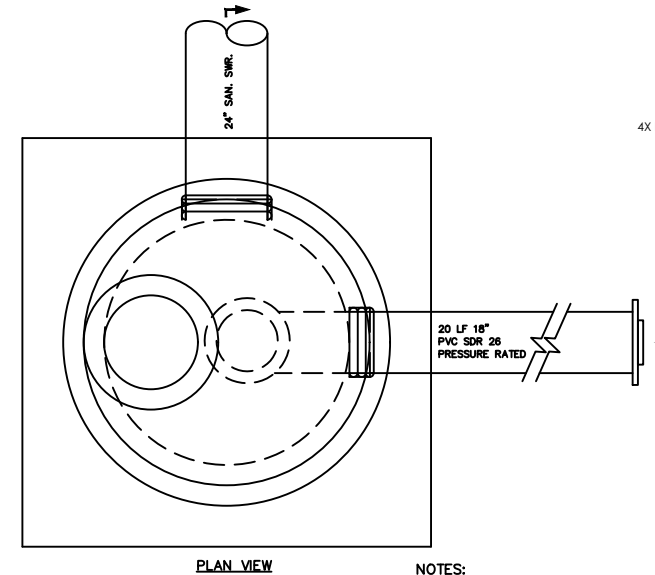
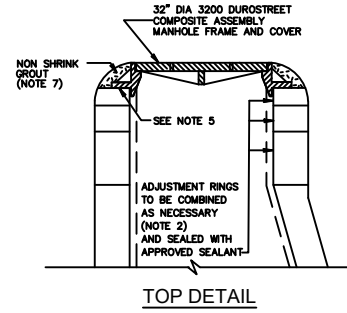
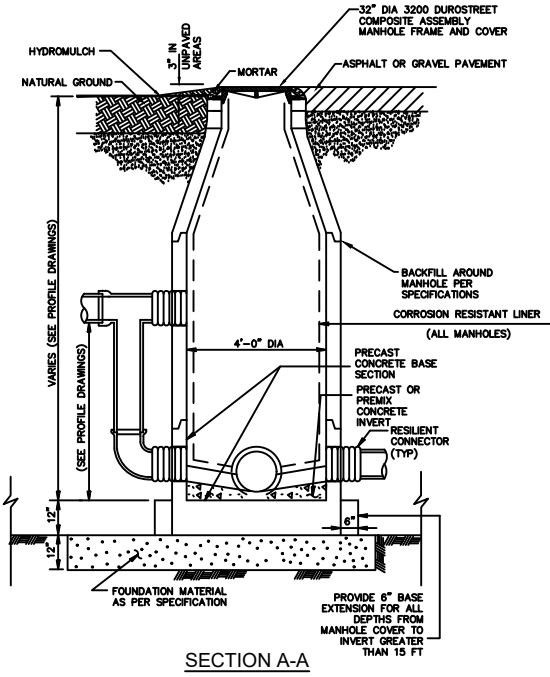


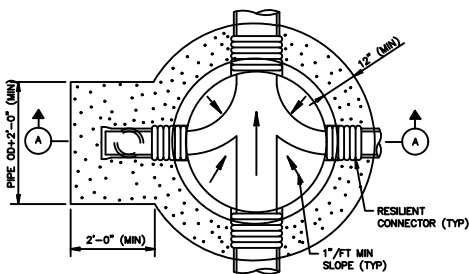
- NOTES:**
- DEPTH OF MANHOLE DETERMINES SECTIONS REQUIRED.
 - PRECAST CONCRETE RINGS SHALL BE PROVIDED FOR A COMBINED ADJUSTMENT HEIGHT OF AT LEAST 12". THE TOTAL HEIGHT OF THE ADJUSTMENT RINGS SHALL NOT EXCEED 1'-6".
 - MANHOLE WALL THICKNESS FOR DEPTH EXCEEDING 12'-0" SHALL BE DETERMINED TO MEET LOADING CONDITIONS. MIN THICKNESS 5".
 - MANHOLE DROP AND INTERSECTING PIPES SHALL BE INSTALLED ONLY WHEN CALLED FOR IN PLAN AND PROFILE DRAWING.
 - SEAT MANHOLE FRAME PER MANUFACTURER.
 - ECCENTRIC PRECAST CONCRETE MANHOLE MAY BE USED.
 - OMIT NON SHRINK GROUT WHEN MANHOLE IS LOCATED IN PAVED AREAS.
 - MIN REINFORCING IN THE PRECAST CONCRETE BASE SHALL BE # 5 @ 8 E.W.
 - PROVIDE BACKFILL TO MATCH ADJACENT PIPE TRENCH BACKFILL PER SPECIFICATION.
 - CENTRIFUGALLY CAST FIBERGLASS PIPE CONNECTIONS TO MANHOLE SHALL BE PER MANUFACTURERS RECOMMENDATION AND SHALL CONFORM TO ASTM C-923.



3200 DUROSTREET® Composite Assembly
 East Jordan or Approved Equal.
NOTE: FOR CORROSION RESISTANT LINER, USE SPRAY ON COATING BY SEWPERCOAT OR EQUAL.
 CLEANOUT COVER BOX ASSEMBLY SHALL BE DFW1017NP2-10-AF2 SEWER OR APPROVED EQUAL.



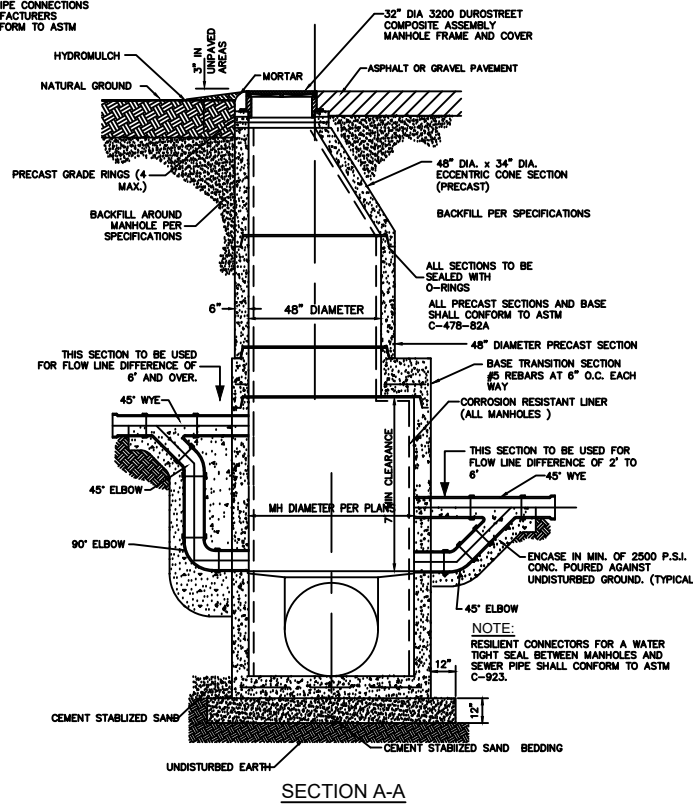
SECTION A-A



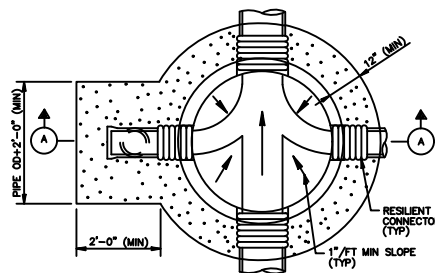
FOUNDATION PLAN

SANITARY SEWER 4'-0" DIAMETER PRECAST CONCRETE CORROSION RESISTANT MANHOLE

- GENERAL NOTES:**
- STANDARD PAY DEPTH FOR ALL MANHOLES IS 8'-0". MANHOLE DEPTH BEYOND 8' IS TO BE PAID PER THE UNIT PRICE BID FOR EXTRA DEPTH FOR THE SIZE MANHOLE STATED.
 - ALL MANHOLES SHALL BE INSTALLED WITH EXTERNAL JOINT WRAPS (PER MANUFACTURERS RECOMMENDATIONS) TO SEAL AGAINST GROUND WATER INFILTRATION ("RISER WRAP" PER PIPELINE SEAL AND INSULATOR, INC. OR APPROVED EQUAL). NO SEPARATE PAY.

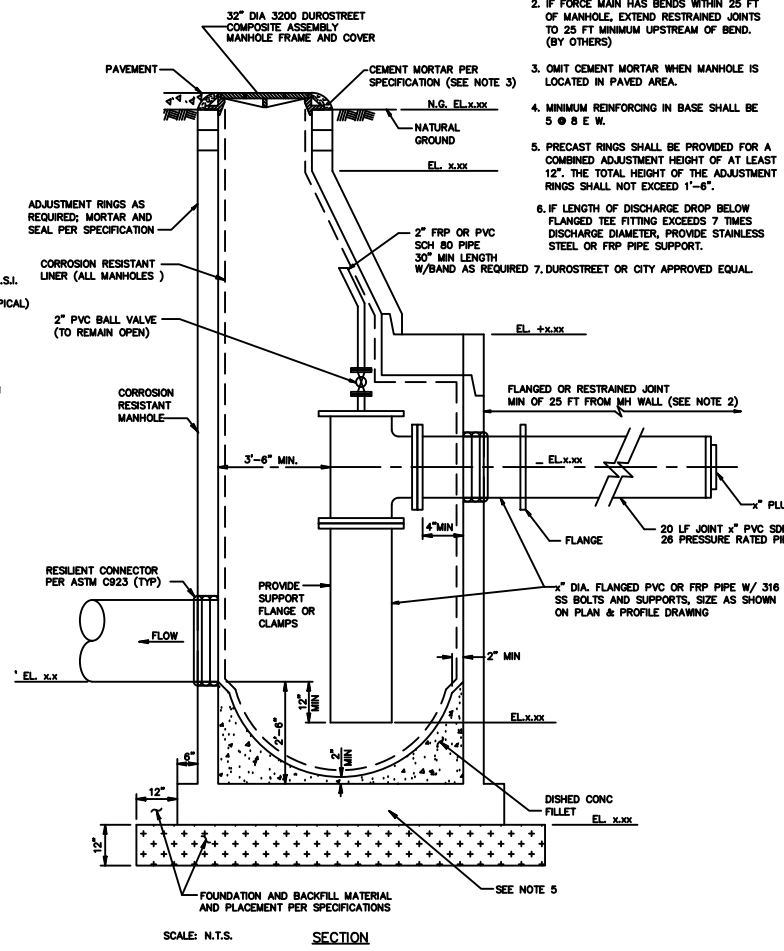


SECTION A-A



FOUNDATION PLAN

5' DIAMETER & GREATER PRECAST SANITARY SEWER MANHOLE DETAIL



SECTION

6' DIAMETER SANITARY SEWER CORROSION RESISTANT MANHOLE FOR FORCE MAIN DISCHARGE

PROPERTY INFORMATION
 This document contains the City of Galveston property and confidential information. It is loaned for limited purpose only and remains the property of City of Galveston. It may not be reproduced in whole or in part without written consent of City of Galveston, and must not be disclosed to persons and having need of such disclosure. The document is to be returned to City of Galveston upon request and in all events upon completion of the use for which it was loaned.

REV	DESCRIPTION	DATE	DWN.	CHK.
0	REVISED MH LINER & LID	4/2021	BF	LA



ENGINEERING DIVISION
 SANITARY SEWER
 MANHOLE

City of Galveston, Texas

Department of Public Works

SANITARY SEWER MANHOLE
 CONSTRUCTION DETAILS

SHEET No.: 1	SCALE: HOR VERT	SHEET 1
DATE: 4/2021		
DWN By: BF		
CHKD By: LA	IF ABOVE MARK DOES NOT MEASURE ONE INCH, THEN THIS DWG. NOT TO SCALE.	OF 1