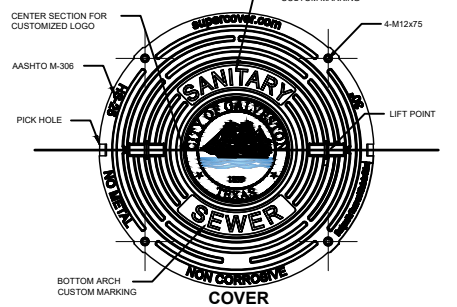
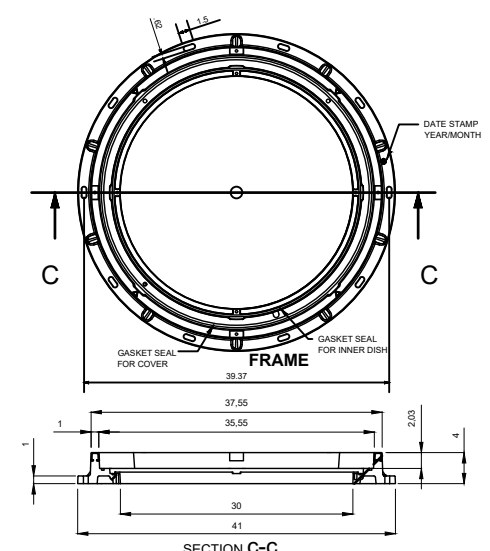
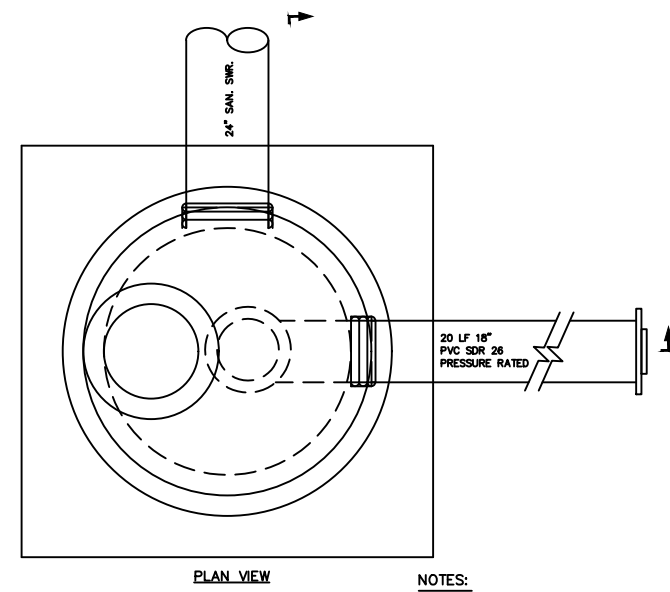
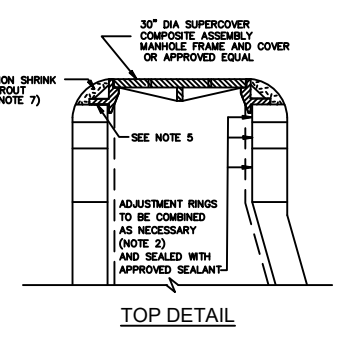
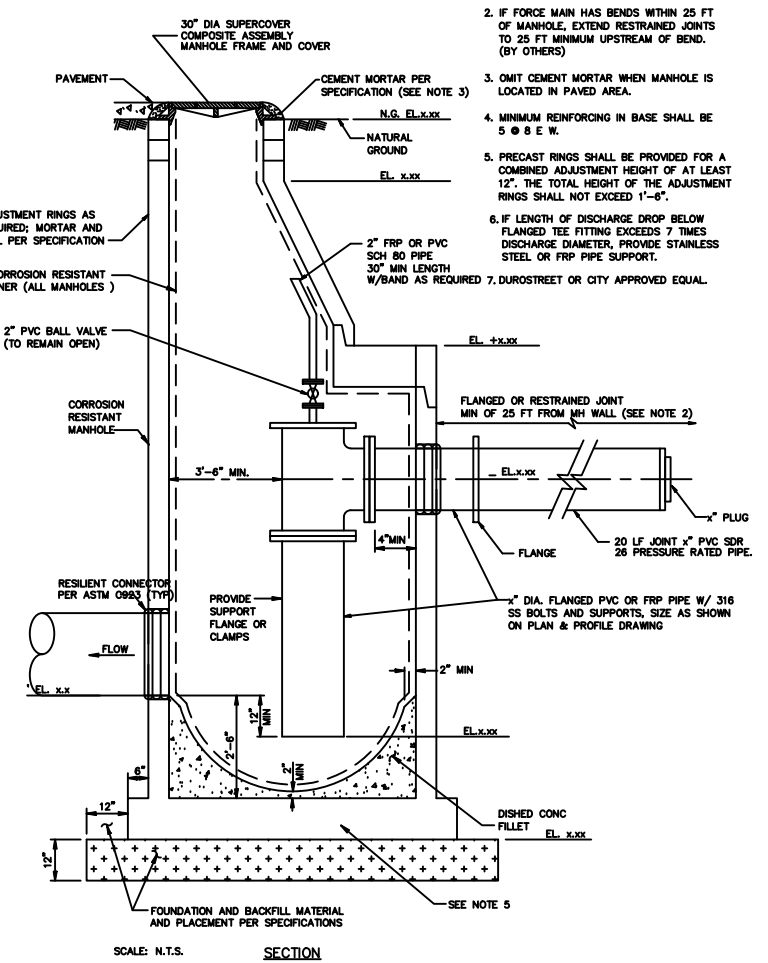


- NOTES:**
- DEPTH OF MANHOLE DETERMINES SECTIONS REQUIRED.
  - PRECAST CONCRETE RINGS SHALL BE PROVIDED FOR A COMBINED ADJUSTMENT HEIGHT OF AT LEAST 12". THE TOTAL HEIGHT OF THE ADJUSTMENT RINGS SHALL NOT EXCEED 1'-6".
  - MANHOLE WALL THICKNESS FOR DEPTH EXCEEDING 12'-0" SHALL BE DETERMINED TO MEET LOADING CONDITIONS. MIN THICKNESS 6".
  - MANHOLE DROP AND INTERSECTING PIPES SHALL BE INSTALLED ONLY WHEN CALLED FOR IN PLAN AND PROFILE DRAWING.
  - SEAT MANHOLE FRAME PER MANUFACTURER.
  - ECCENTRIC PRECAST CONCRETE MANHOLE MAY BE USED.
  - OMIT NON SHRINK GROUT WHEN MANHOLE IS LOCATED IN PAVED AREAS.
  - MIN REINFORCING IN THE PRECAST CONCRETE BASE SHALL BE # 5 @ 8 EW.
  - PROVIDE BACKFILL TO MATCH ADJACENT PIPE TRENCH BACKFILL PER SPECIFICATION.
  - CENTRIFUGALLY CAST FIBERGLASS PIPE CONNECTIONS TO MANHOLE SHALL BE PER MANUFACTURERS RECOMMENDATION AND SHALL CONFORM TO ASTM C-923.

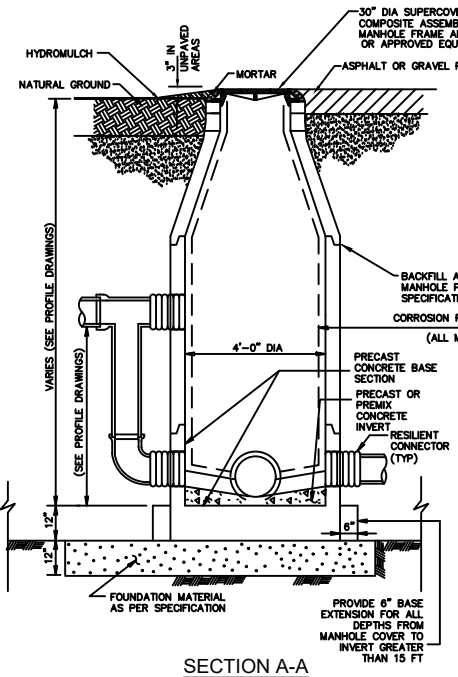


**SUPERCOVER 30 INCH BOLT COMPOSITE MANHOLE COVER OR APPROVED EQUAL**

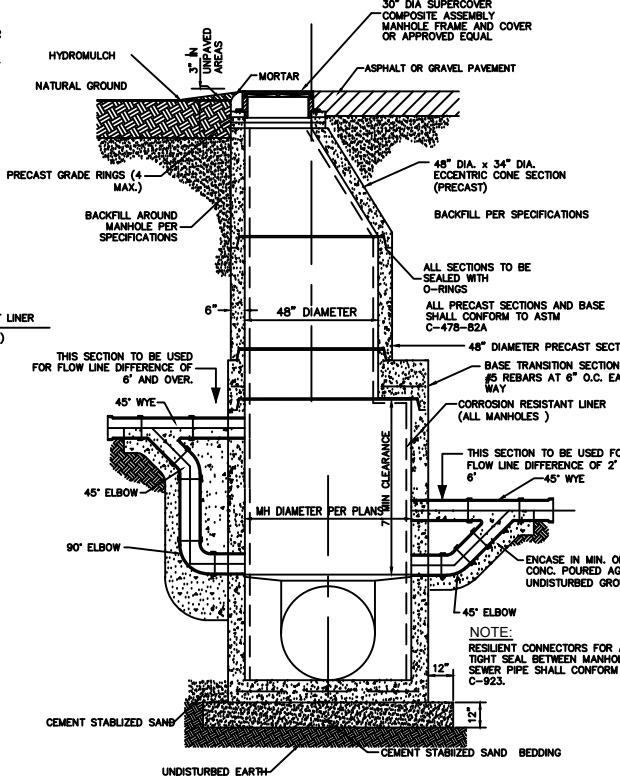
- NOTES:**
- SEAT MANHOLE FRAME IN PER MANUFACTURER.
  - IF FORCE MAIN HAS BENDS WITHIN 25 FT OF MANHOLE, EXTEND RESTRAINED JOINTS TO 25 FT MINIMUM UPSTREAM OF BEND. (BY OTHERS)
  - OMIT CEMENT MORTAR WHEN MANHOLE IS LOCATED IN PAVED AREA.
  - MINIMUM REINFORCING IN BASE SHALL BE 5 @ 8 E W.
  - PRECAST RINGS SHALL BE PROVIDED FOR A COMBINED ADJUSTMENT HEIGHT OF AT LEAST 12". THE TOTAL HEIGHT OF THE ADJUSTMENT RINGS SHALL NOT EXCEED 1'-6".
  - IF LENGTH OF DISCHARGE DROP BELOW FLANGED TEE FITTING EXCEEDS 7 TIMES DISCHARGE DIAMETER, PROVIDE STAINLESS STEEL OR FRP PIPE SUPPORT.



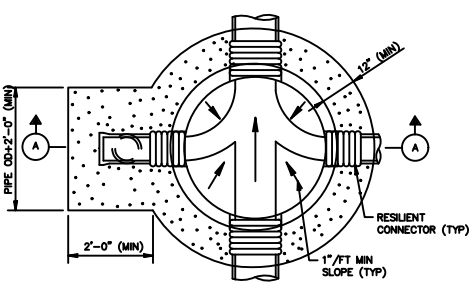
**6" DIAMETER SANITARY SEWER CORROSION RESISTANT MANHOLE FOR FORCE MAIN DISCHARGE**



**SECTION A-A**



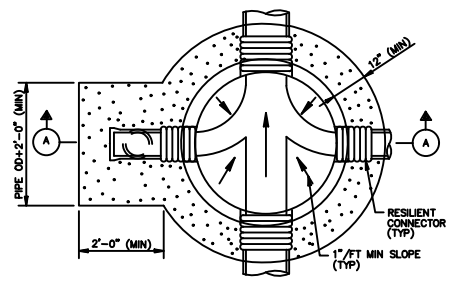
**SECTION A-A**



**FOUNDATION PLAN**

**SANITARY SEWER 4" DIAMETER PRECAST CONCRETE CORROSION RESISTANT MANHOLE**

- GENERAL NOTES:**
- STANDARD PAY DEPTH FOR ALL MANHOLES IS 8'-0". MANHOLE DEPTH BEYOND 8' IS TO BE PAID PER THE UNIT PRICE BID FOR EXTRA DEPTH FOR THE SIZE MANHOLE STATED.
  - ALL MANHOLES SHALL BE INSTALLED WITH EXTERNAL JOINT WRAPS (PER MANUFACTURERS RECOMMENDATIONS) TO SEAL AGAINST GROUND WATER INFILTRATION ("FRISER WRAP" PER PIPELINE SEAL AND INSULATOR, INC. OR APPROVED EQUAL). NO SEPARATE PAY



**FOUNDATION PLAN**

**5" DIAMETER & GREATER PRECAST SANITARY SEWER MANHOLE DETAIL**

REV	DESCRIPTION	DATE	DWN.	CHK.
0	REVISED MH LINER & LID	11/2021	BF	RW



ENGINEERING DIVISION  
SANITARY SEWER  
MANHOLE

City of Galveston, Texas

Department of Public Works

SANITARY SEWER MANHOLE  
CONSTRUCTION DETAILS

SHEET No.: 1	SCALE: HOR VERT	SHEET 1 OF 1
DATE: 11/2021		
DWN By: BF		
CHKD By: RW		

PROPERTY INFORMATION  
This document contains City of Galveston property and confidential information. It is loaned for limited purpose only and remains the property of City of Galveston. It may not be reproduced in whole or in part without written consent of City of Galveston, and must not be disclosed to persons not having need of such disclosure. This document is to be returned to City of Galveston upon request, and in all events upon completion of the use for which it was loaned.

[SSWM-ENG 001] A